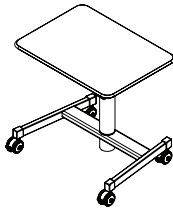




Silhouette Sit - Stand

large rectangular student desk

MODEL #: 01632



#01632

OVERVIEW

With Sit - Stand, student's have the flexibility to choose their preferred position: sitting or standing. Styled to match the current line of Silhouette tables and desk, this mobile desk comes with lockable casters and angled legs to allow feet placement underneath desk.

MATERIALS

The 3/4" thick WORK SURFACE consists of a 45 lb density particle board core with a 0.030" high pressure laminated surface and a 0.020" melamine backer sheet. The edge of the tabletop features your choice of a bumper t-mold or 4mm t-mold, which is then fastened to the underside of the work surface every 6 to 8 inches to assure a long lasting fit.

The BASE is constructed of cold rolled steel and the COLUMN is a combination of steel, aluminum, and plastic.

STANDARD LAMINATE OPTIONS



STANDARD EDGE COLORS



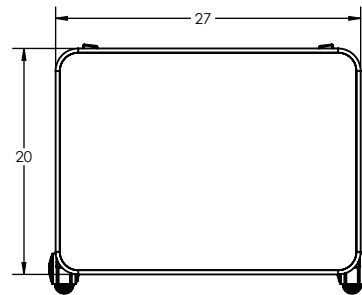
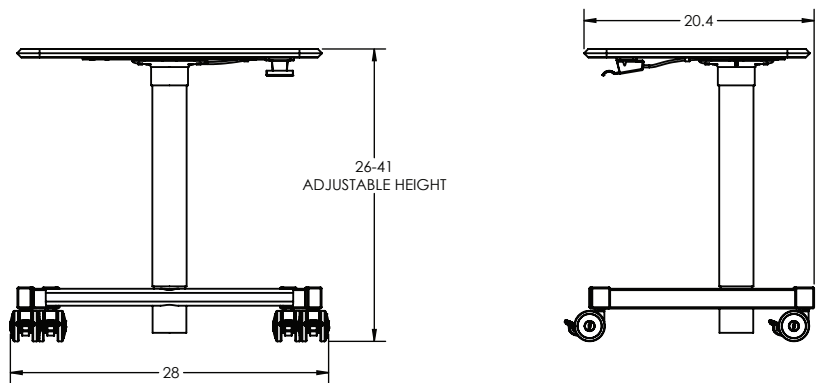
COLUMN/BASE COLOR:



WWW.SMITHSYSTEM.COM

DIMENSIONS

Model	Description	D"	W"	H"	F.C.	Cube	WT
01632	Silhouette Sit-Stand Desk	20	27	26-41			44
	shipping dimensions	21.25	27.25	4.75	125	7.56	



OPTIONAL ACCESSORIES



Model 76518
Technology Basket, low profile storage.

Product Dimensions: 10" d x 14" w x 3" h
 Freight Class: 70
 Cube: 1.44
 Carton Dimensions: 10" d x 16" w x 3" h
 Weight: 3 lbs.

Smith System®

MODEL 01632 - DECEMBER 2020