



library carrels

MODEL #: 26680-26685

LIBRARY CARRELS, STARTER & ADDER

DIMENSIONS + FREIGHT

MODEL #	'D'	'E'	'C'	'A'	'B'	F.C.	WEIGHT
carrel starters							
26680	29.83"	26.75"	24.5"	48"	21.5"	70	128 lbs.
26682	29.83"	26.75"	36.5"	48"	33.5"	70	145 lbs.
26684	29.83"	26.75"	48.5"	48"	45.5"	70	163 lbs.
carrel adders							
26681	29.83"	26.75"	23.13"	48"	21.5"	70	87lbs.
26683	29.83"	26.75"	35.13"	48"	33.5"	70	104 lbs.
26685	29.83"	26.75"	47.13"	48"	44.5"	70	119 lbs.

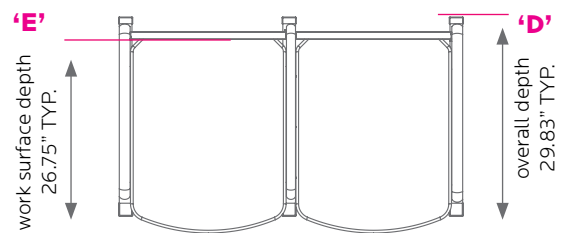
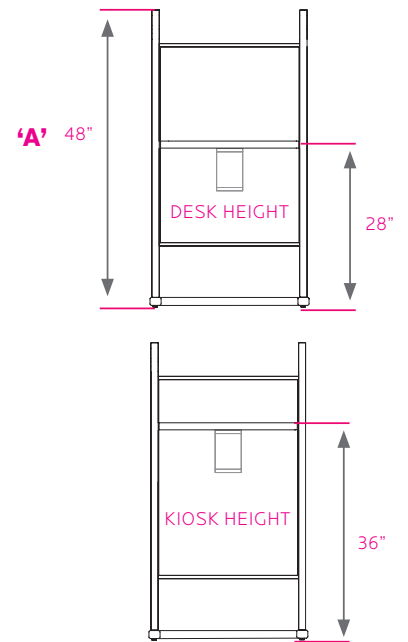
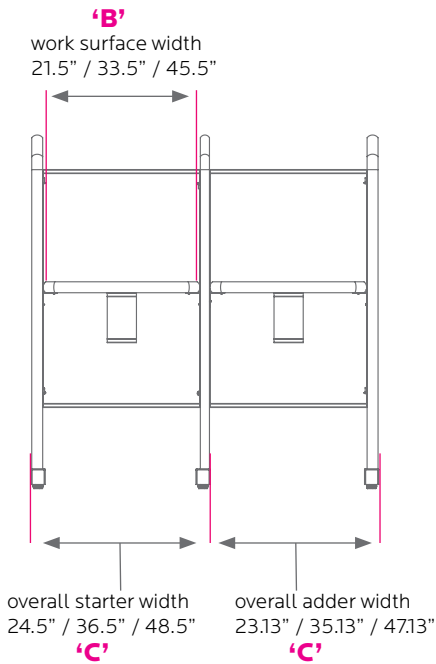
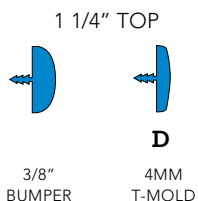
OVERVIEW

Focusing on studying can be a challenge for children of all ages. Library carrels can be a great solution to this problem and are perfect for libraries. By just reversing the back panel you can switch from desk height to kiosk height (36" h).

MATERIALS

The 1 1/4" thick work surface consists of 45 lb. density particle board core with a .030" high-pressure laminated surface and a .020" melamine backer sheet. The work surface is finished on the edge with a t-mold edge of your choice that is mechanically fastened every 6 to 8 inches to assure a long lasting fit. The top is pre-drilled for ease of installation. The 1 1/4" thick side panels consist of the same 45 lb. density particle board core, .030" high-pressure laminate on both sides and the edge is wrapped with t-mold. The side panels are finished with a 16-gauge 1 3/4" x 2" steel foot with nylon end caps and feature 1" adjustable leveling glides that provide stability on uneven floors. The back panel is an 18-gauge steel panel and is reversible to allow the user to set their work surface at either a 28" desk height for sitting or a 36" kiosk height for standing. For added strength the side panels are tied together with a 14-gauge steel tube cross bar at the foot.

ACROBAT TOP & EDGE PROFILE



Acrobat Frame Color Options



BLACK
BLA



PLATINUM
PLT

Standard Laminate Options

Want to specify a different laminate?

No problem. If you have 20 or more tops of the same color -60 or -38 there is no upcharge. Have 20 or less? We can quote for you with the Wilsonart code and – finish style. We can specify other laminates – call to inquire and get a quote.



Suggested Standard Laminates:



ASIAN NIGHT
7949-60
ANG



BOARDWALK OAK
7983-60
BWK



PEWTER MESH
4878-60
PEW



CLASSIC LINEN
4943-60
CLN



HIGH RISE
4996-60
HRE



BUKA BARK
7982-60
BBK



PALISADES OAK
7987-60
PSO



FLAX LINEN
4990-60
FLL



MISSION MAPLE
7990-60
MIM



NEW AGE OAK
7938-60
NEW

Classic Standard Laminates:



WILD CHERRY
7054-60
CHE



GREY NEBULA
4622-60
GNB



FUSION MAPLE
7909-60
MAP

All 13 of the standard laminates are -60 finish, if you need to match a laminate from a previous year, please let us know on your order (example Pewter Mesh 4878-38, our standard is -60).

When the WilsonArt Laminate code includes a "Y", "K", "-12" "-78", "Aeon" etc, these are special laminates with an upcharge, even when it contains -38 or -60.

Standard Edge Color Options



APPLE A



BLACK B



BLUEBERRY C



BURGUNDY D



CERULEAN S



CHAMPAGNE O



CHARCOAL R



CHOCOLATE Q



CLEMENTINE E



FOREST GREEN F



FUCHSIA G



MINT H



MOCHA T



NAVY I



ORANGE U



PERSIAN BLUE J



PLATINUM P



PURPLE K



RED L



YELLOW N

Smith System®

ACROBAT CARRELS - SEPTEMBER 2017