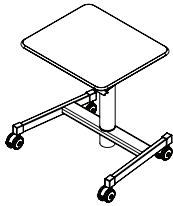




Silhouette Sit - Stand

small rectangular student desk

MODEL #: 01630



#01630

OVERVIEW

With Sit - Stand, student's have the flexibility to choose their preferred position: sitting or standing. Styled to match the current line of Silhouette tables and desk, this mobile desk comes with lockable casters and angled legs to allow feet placement underneath desk.

MATERIALS

The 3/4" thick WORK SURFACE consists of a 45 lb density particle board core with a 0.030" high pressure laminated surface and a 0.020" melamine backer sheet. The edge of the tabletop features your choice of a bumper t-mold or 4mm t-mold, which is then fastened to the underside of the work surface every 6 to 8 inches to assure a long lasting fit.

The BASE is constructed of cold rolled steel and the COLUMN is a combination of steel, aluminum, and plastic.

STANDARD LAMINATE OPTIONS



STANDARD EDGE COLORS



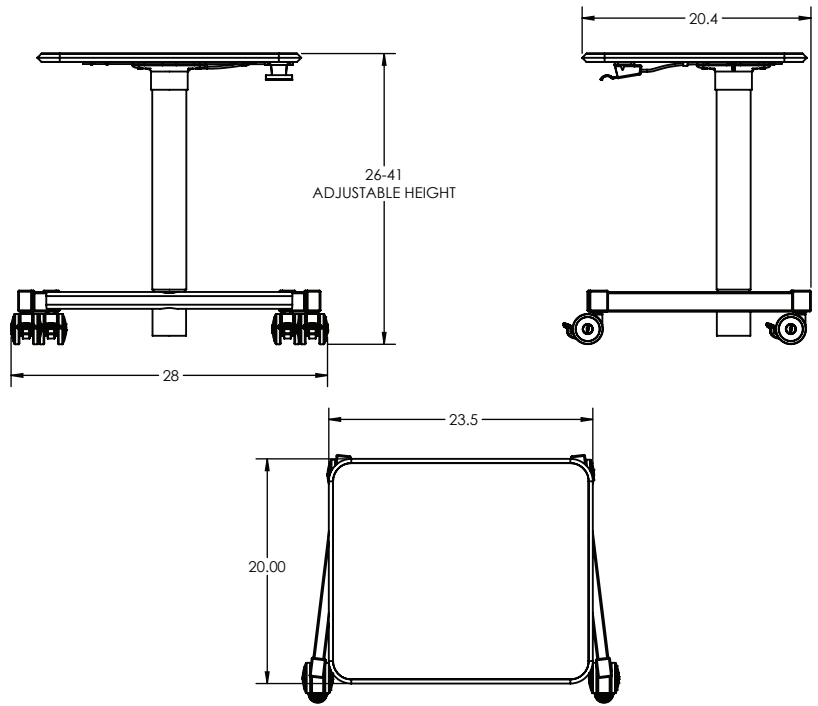
COLUMN/BASE COLOR:



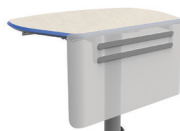
WWW.SMITHSYSTEM.COM

DIMENSIONS

Model	Description	D"	W"	H"	F.C.	Cube	WT
01630	Silhouette Sit-Stand Desk	20.4	28	26-41			41
	shipping dimensions	21.25	27.25	4.75	125	7.56	

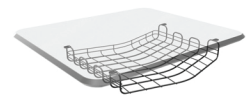


OPTIONAL ACCESSORIES



Model 76517 *
Modesty Panel / Privacy Screen

Product Dimensions: 1.5" d x 23.625" w x 13.75" h
 Freight Class: 40
 Cube: 1.44
 Carton Dimensions: 13.75" d x 26" w x 1.5" h
 Weight: 5 lbs.



Model 76518
Technology Basket, low profile storage.

Product Dimensions: 10" d x 14" w x 3" h
 Freight Class: 70
 Cube: 1.44
 Carton Dimensions: 10" d x 16" w x 3" h
 Weight: 3 lbs.

*Model 26517 Modesty Panel not compatible with 20x27 desktop.

Smith System®

MODEL 01630 - DECEMBER 2020