



planner studio bench

single sided

MODEL #: 25270, 25271

PLANNER STUDIO, SINGLE SIDE BENCHES

DIMENSIONS + FREIGHT

Model	Description	D"	W"	H"	F.C.	WT
12" Deep Models						
25270	12x46 Studio Bench	12	46	18	70	xx
25271	12x58 Studio Bench	12	58	18	70	xx

OVERVIEW

Planner Studio is ideal for all kinds of classroom activities. The heavy duty construction contributes to a sturdy work surface that can hold 400 pounds. The Planner Studio table is shipped ready to assemble.

The 1 1/4" thick WORK SURFACE consists of a 45 lb density particle board core with a .030" high pressure laminated surface and a .020" melamine backer sheet. The edge of the work surface features a 3mm flat self edge.

The FRAME consists of two fully welded leg segments and a center support channel. The legs are attached to the pre-drilled holes in the top with #10 x 5/8" wood screws through a 14-gauge steel mounting plate. The mounting plate is welded to (2) 60mm x 60mm 14-gauge steel square tube legs which are welded to a 1" x 2" 14-gauge steel tube cross bar. The center support channel is 2" x 3" 14-gauge steel, with 14-gauge steel end plates for maximum stability. The center support channel is connected to the legs by (4) connector bolts. Comes standard with glides.

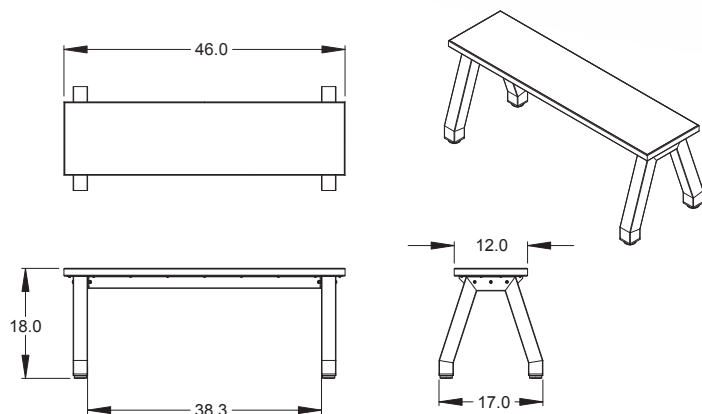
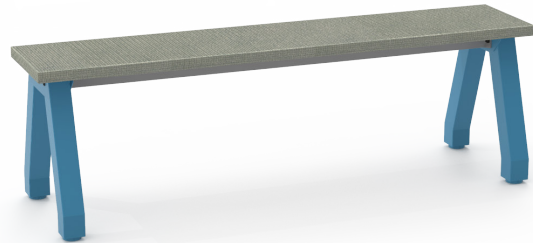
PLANNER STUDIO EDGE PROFILE



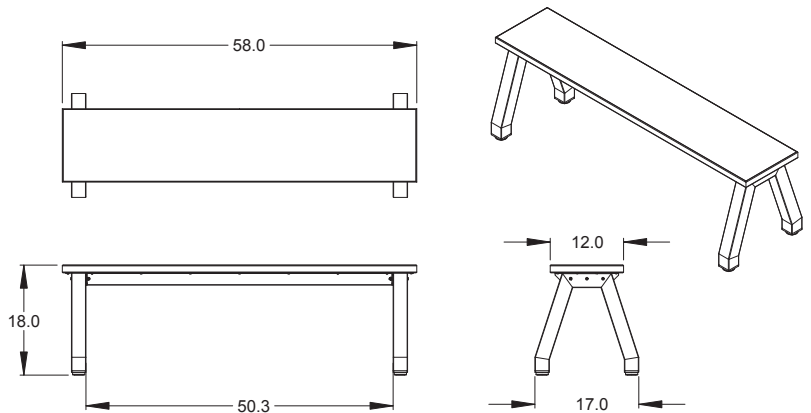
LAMINATE OPTIONS



FRAME COLOR OPTIONS



12.0 x 46.0 Planner St Bench



12.0 x 58.0 Planner St Bench